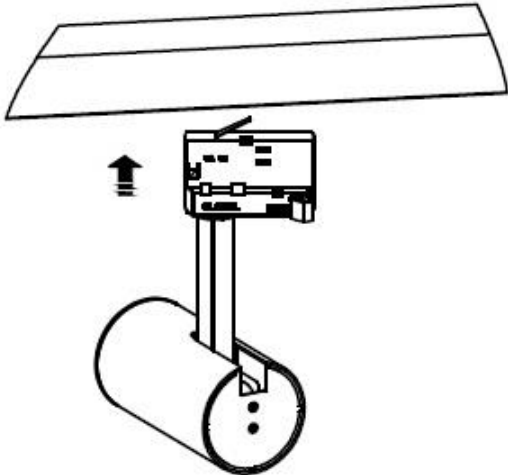


INSTRUCTION MANUAL

Application Model: L4T517, L4T715, L4T724, L4T605

Product Description: LED COB 3-phase tracklight with internal driver

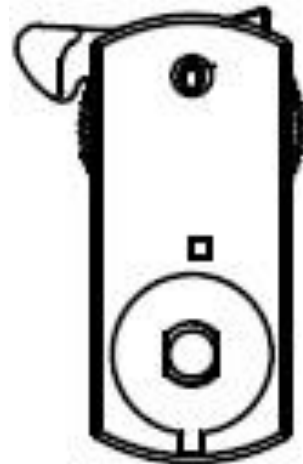
PLEASE READ THIS INSTALLATION GUIDE CAREFULLY BEFORE INSTALLATION



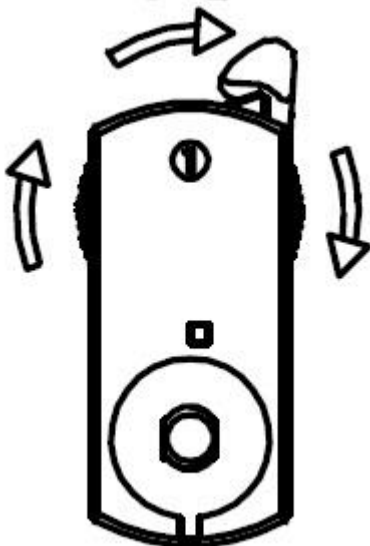
Step 1: Before commencing installation or maintenance, the electricity supply must be isolated.

Step 2: Check the compatibility between the track and the track adaptor.

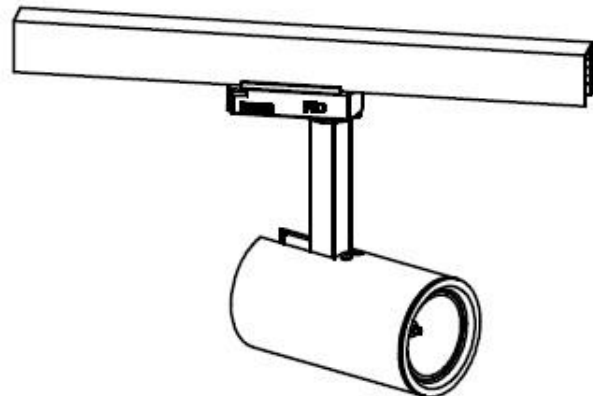
Recommend to use RiO single phase track.



Step 3: For the lock switch, before installation, make sure it's in the status as above. Lock switch on the left.



Step 4: Attach the adaptor on the track, turn the lock switch to the right as indicated.



Step 5: Adjust the right angle and connect electricity

Attention

Switch off the power before maintenance, installation and replacement, turn on the power when the lighting fixture installed correctly.

The installation and replacement should be conducted by qualified / licensed electrician.

Product shall be installed by qualified electrician.

The Luminaire is for indoor use only.